

Rocker Platform Installation and Adjustment

Required part: SciGene cat. #1040-21-0 — Rocker platform for Model 1000, 400 and Series 700 Ovens.

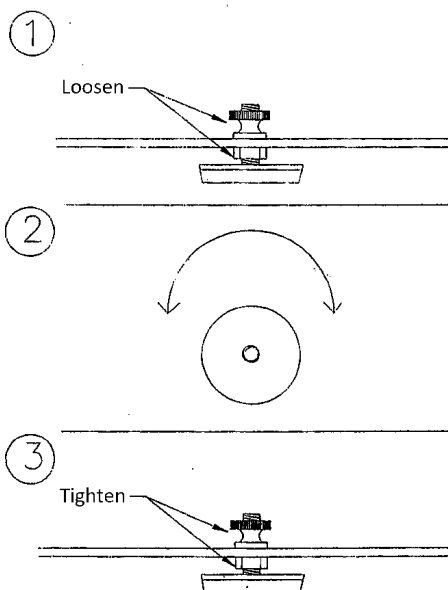
To install:

Remove drip pan from the oven. Slide the rocker straight into the oven, close to the left inside wall. When the shaft ball lines up with the coupling in the right wall, move gently to the right until the ball is completely inside the coupling. To ensure the ball fits into the coupling slots, turn the round disk as needed. Straighten the platform to sit parallel with the side walls.



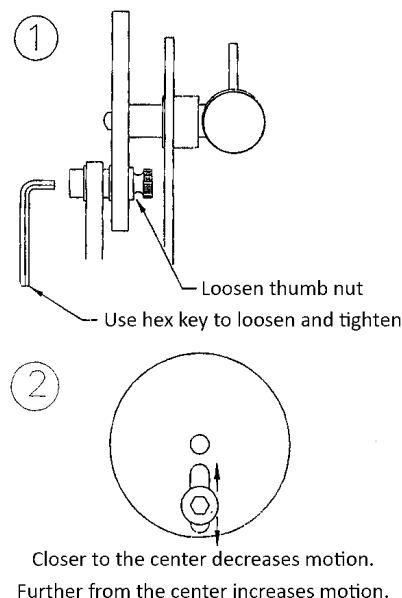
To adjust height:

- 1) Height is preset at the factory. If any change is needed to better align the shaft, loosen the nuts at the top and bottom of the four feet.
- 2) Turn to raise or lower.
- 3) Retighten all nuts.



To adjust motion:

- 1) Loosen the threaded brass nut holding the arm to the round cam.
- 2) Move the arm assembly closer to the center or farther to the outside to achieve the desired motion.
 - a. To increase motion, move arm assembly towards the outside.
 - b. To decrease motion, move arm assembly closer to the center.



For assistance, please contact: techserv@scigene.com or (408) 733-7337, option 6.

Rev. 04/30/12 — Pub. 422