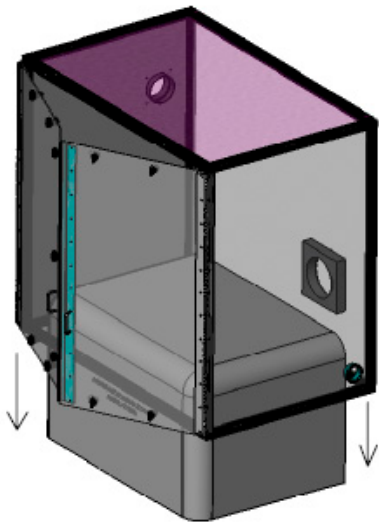


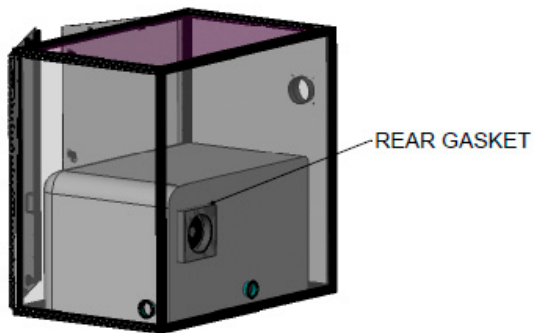
## Setting Up the NoZone<sup>®</sup> TL Workspace

Cat. #1090-11-1 (115V) and 1090-11-2 (220V)

### » Step 1. Place Enclosure over Scanner

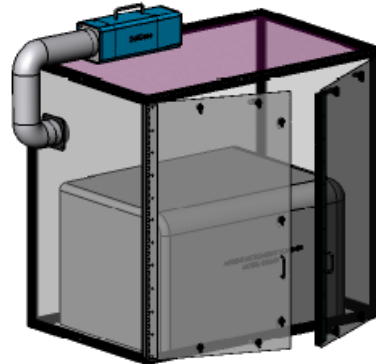


### » Step 2. Place Scanner Against Gasket and Remove Protective Paper



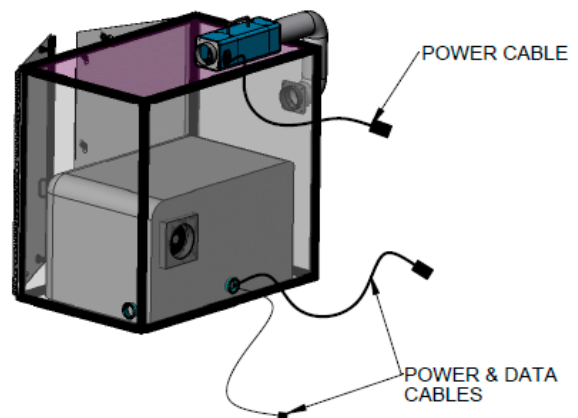
Remove protective film covering the enclosure.

### » Step 3. Install Scrubber and Ducting



Place scrubber atop enclosure and install ducting with hose clamps to the exit end of the scrubber and to the left side of the enclosure. Ensure that air flow is directed into the chamber.

### » Step 4. Attach Power and Data Cables and Turn On Power



Attach power and data cables to scanner. Plug in power cable from scrubber and turn on.